

# BRICKBIKES

---

ASSEMBLY MANUAL  
*Fenders for 3-speed bikes*



# BRIKBIKES

For more information about service and maintenance, go to:  
[brikbikes.com/service](https://brikbikes.com/service)

© 2024 Brikbikes BV

# BRIKBIKES

## Guide

### Tools used in this manual

Allen keys



Spanners

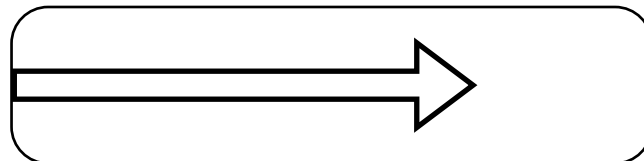


Screw drivers



### Symbols used in this manual

Direction of movement



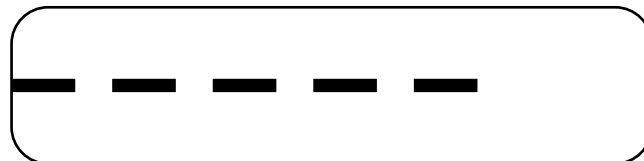
Direction for fastening



Direction for loosening



Directional axis for bolt and nuts

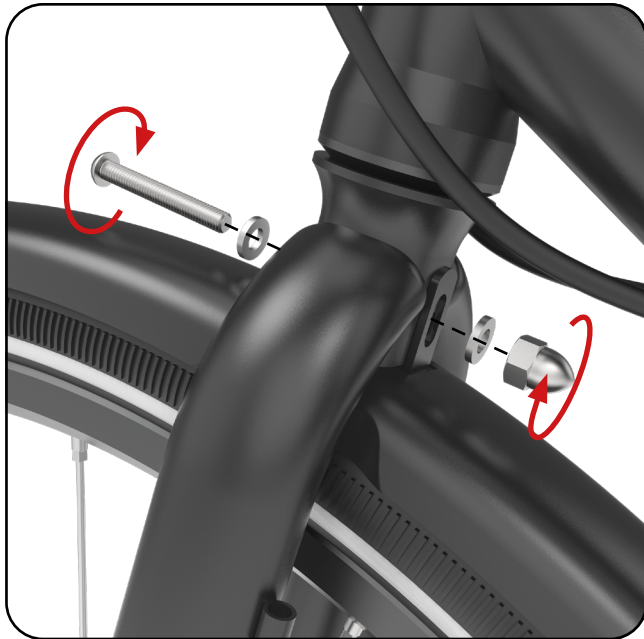


# BRIKBIKES

## Front fender

### Fenders

1 - Fastening at the top of the front fork



2 - Fastening to the fender bar



3 - Fastening fender bar to the front fork



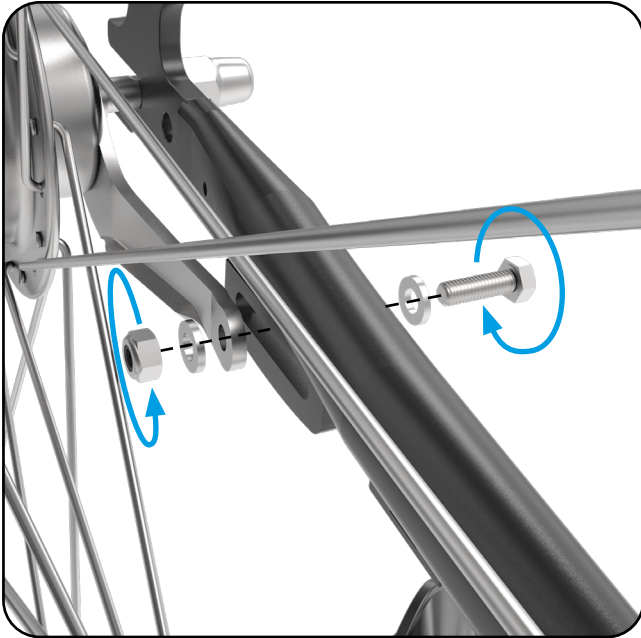
# BRICKBIKES

## Rear fender - 3-speed coasterbrake

### Fenders

---

1 - Loosen rear brake



2 - Remove Nexus clickbox

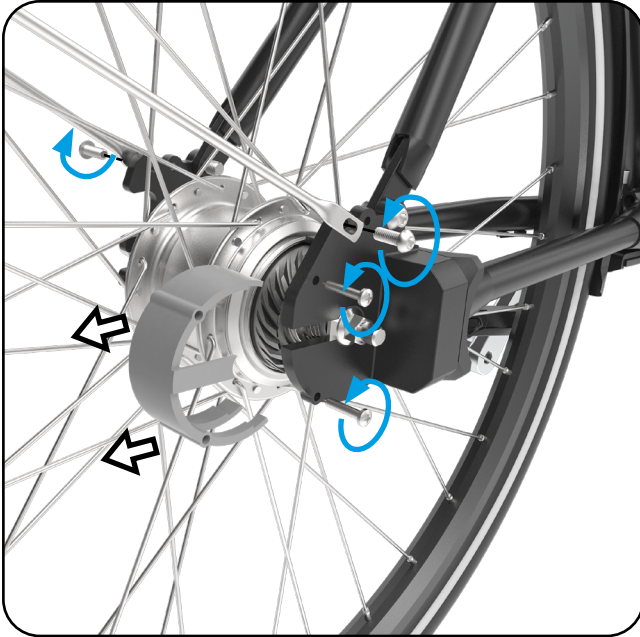


# BRIBIKES

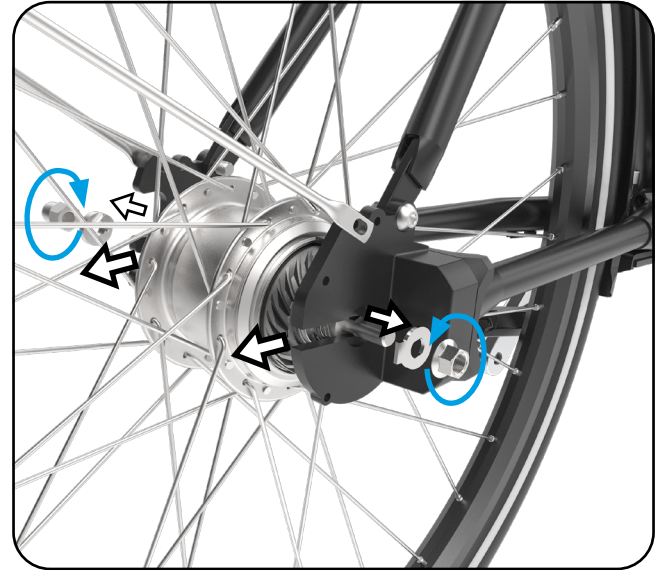
## Rear fender - 3-speed coasterbrake

### Fenders

3 - Remove plastic cap and loosen fender bars



4 - Loosen axle nuts and remove rear wheel



*The rear wheel and shaft drive are tuned to run smoothly, using a pre-determined set of washers between the hub and the shaft drive. Make sure to keep the washers exactly as they were before removing the wheel.*

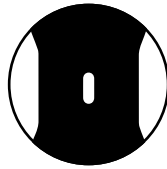


# BRIKBIKES

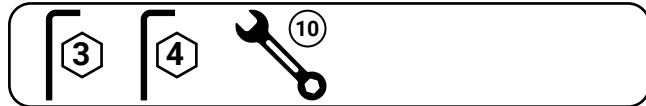
## Rear fender - 3-speed coasterbrake

### Fenders

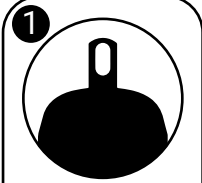
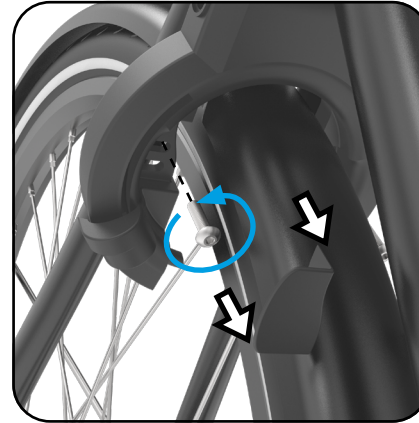
5A - Rear fender with a slotted hole



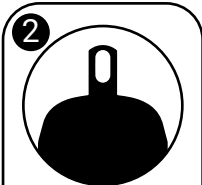
*If the fender is equipped with a slotted hole, fasten the fender at the bottom of the bridge through the slotted hole.*



5B - Rear fender with a bracket



*If the fender is equipped with a small bracket, first remove the lock.*



*Fasten the fender to the bridge through the small bracket on the fender.*

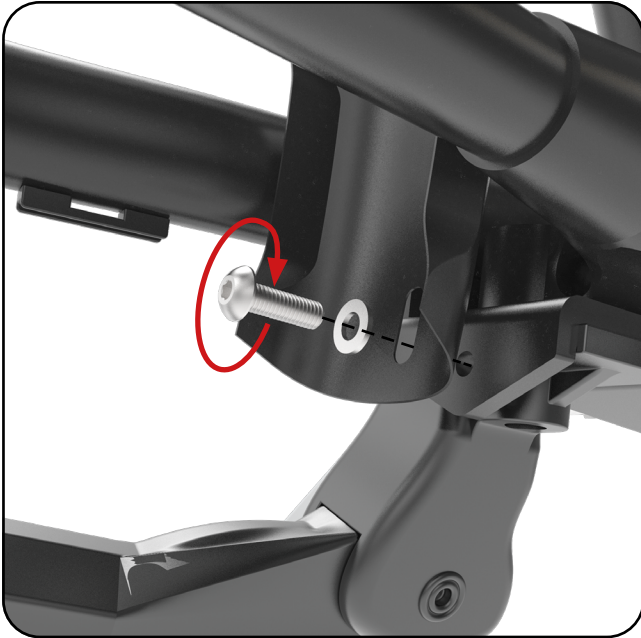
# BRIKBIKES

## Rear fender - 3-speed coasterbrake

### Fenders

---

6 - Fastening at the kickstand



7 - Fastening at fender bar



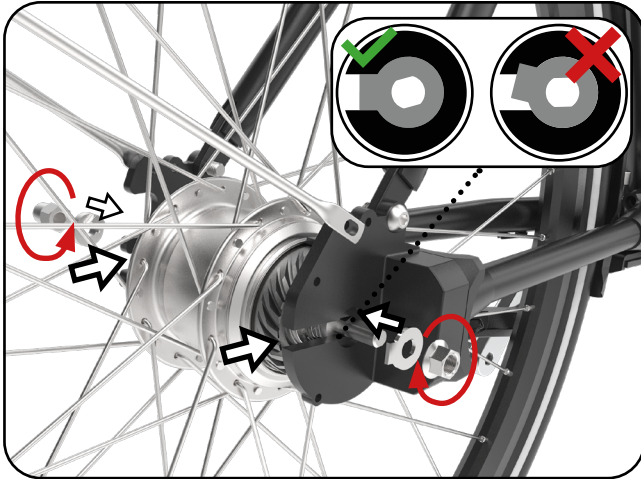


# BRICKBIKES

## Rear fender - 3-speed coasterbrake

### Fenders

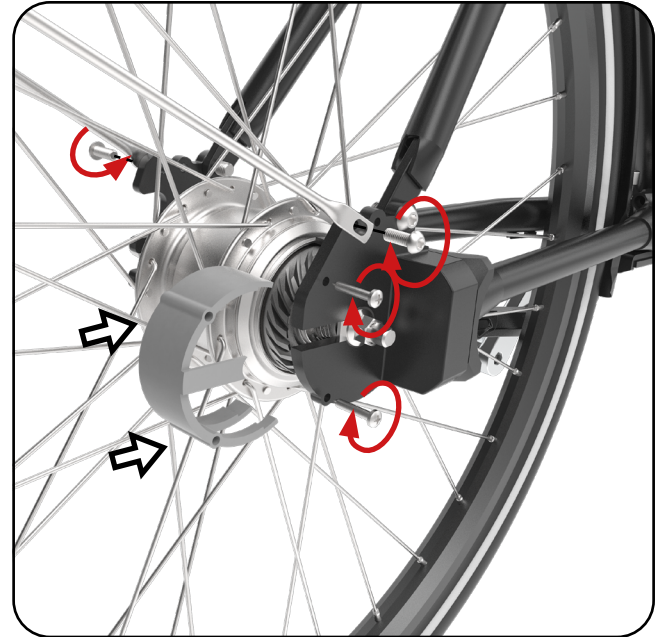
#### 8 - Fitting the rear wheel



*When fitting the rear wheel, make sure to place the washers, between the hub and shaft drive, exactly as they were before removing the wheel.*



#### 9 - Place plastic cap and fasten fender bar



# BRIBIKES

## Rear fender - 3-speed coasterbrake

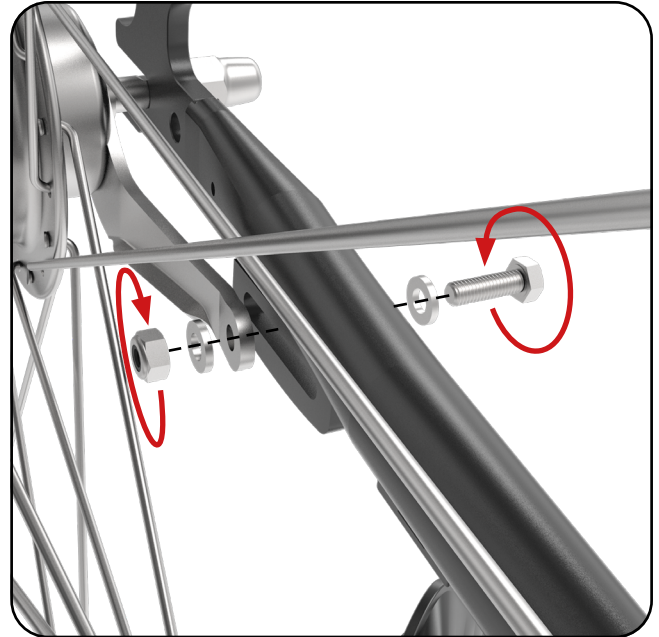
### Fenders

---

10 - Fasten Nexus clickbox



11 - Fasten rear brake



# BRICKBIKES


# BRIKBIKES

Industrieweg Oost 9C  
6662 NE Elst

info@brikbikes.nl  
+ 31 24 8200 998

**brikbikes.nl**

 @Brikbikes\_official

 @Brikbikes

