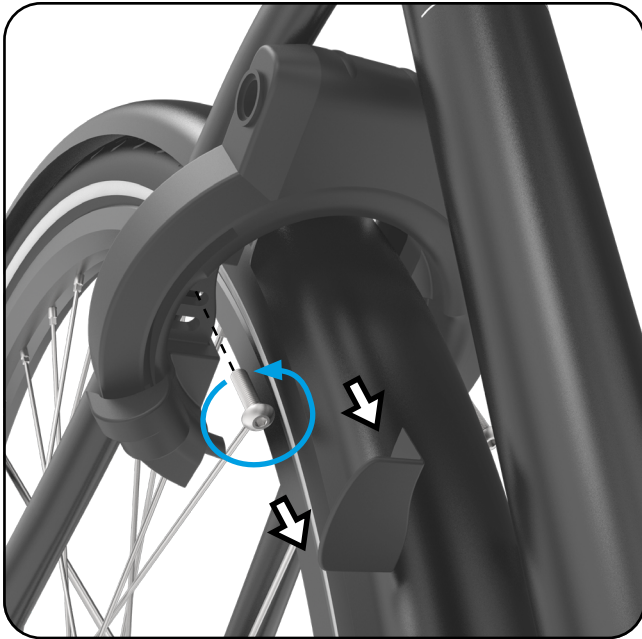


# BRIKBIKES

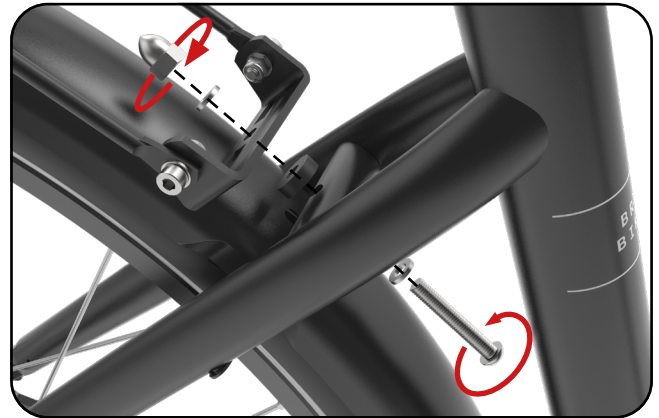
## Brikbikes assembly manual

Rear carrier Commuter

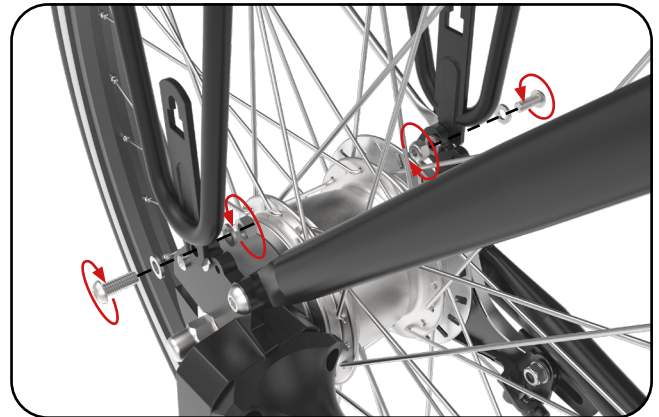
1 - Removing the lock



2 - Fixing the carrier to the bridge



3 - Fixing the carrier to the frame



# BRIKBIKES

Industrieweg Oost 9C  
6662 NE Elst

info@brikbikes.nl  
+ 31 24 8200 998

**brikbikes.nl**

 @Brikbikes\_official

 @Brikbikes

