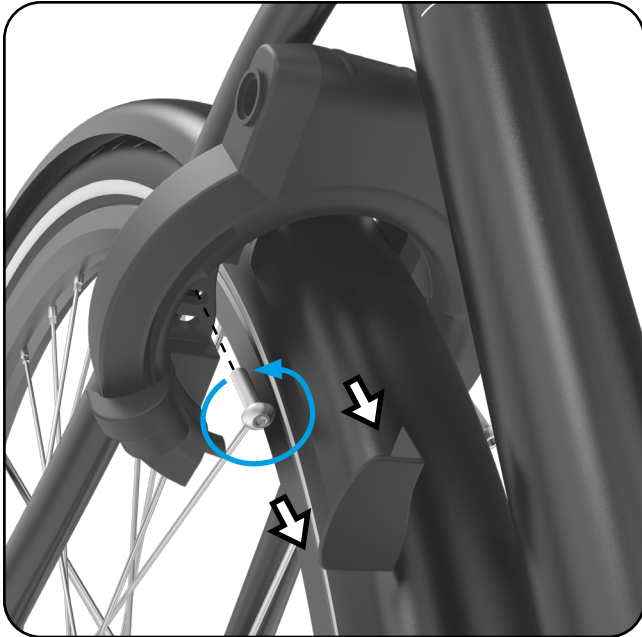


BRIKBIKES

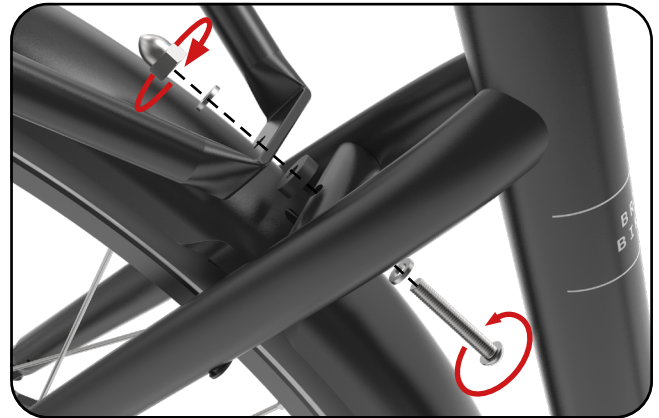
Brikbikes assembly manual

Rear carrier Classic

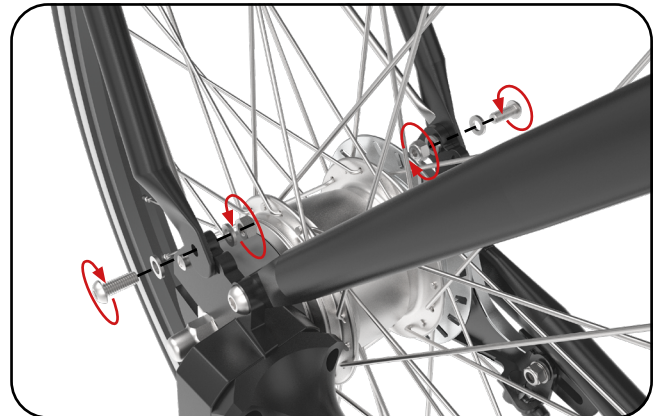
1 - Removing the lock



2 - Fixing the carrier to the bridge



3 - Fixing the carrier to the frame



BRIKBIKES

Industrieweg Oost 9C
6662 NE Elst

info@brikbikes.nl
+ 31 24 8200 998

brikbikes.nl

 @Brikbikes_official

 @Brikbikes

